



**RBC**  
Air Handlers



## Features

- Achieves efficiency of 13 SEER when matched with appropriate outdoor models
- RBC models available with TXVs installed
- Threaded gauge ports for easy internal TXV assembly
- Pre-painted cabinets
- Filter racks pre-installed
- 5-year limited warranty—parts
- Field-supplied heat kits available from 5kw to 20kw ranges
- Suitable for use with R22 and R410A refrigerants
- Electrical connections from top, left or right side

## Efficiency:

13 SEER when matched with appropriate outdoor models

## Warranty:

5-year limited—parts

# RBC Air Handlers

## Electrical

Air Handler Size	Elec. Heating Capacity		Blower Amps		Total Amps Per Circuit <sup>2,3</sup>						Total Unit Amps		Circuit Breaker Amps Per Stage	
	kW	BTUH	208v	240v	208v			240v			208v	240v	1	2
	240v <sup>1</sup>	240v <sup>1</sup>			1	2	3	1	2	3				
18 & 24 (No Heat)	0	0	1.5	1.4	-	-	-	-	-	-	1.5	1.4	15	-
18 & 24	5	17,065	1.5	1.4	19.5	-	-	22.2	-	-	19.5	22.2	30	-
18 & 24	7.5	25,598	1.5	1.4	28.6	-	-	32.7	-	-	28.6	32.7	45	-
18 & 24	10	34,130	1.5	1.4	37.6	-	-	43.1	-	-	37.6	43.1	60	-
30 (No Heat)	0	0	1.6	1.5	-	-	-	-	-	-	1.6	1.5	15	-
30	5	17,065	1.6	1.5	19.6	-	-	22.3	-	-	19.6	22.3	30	-
30	7.5	25,598	1.6	1.5	28.7	-	-	32.8	-	-	28.7	32.8	45	-
30	10	34,130	1.6	1.5	37.7	-	-	43.2	-	-	37.7	43.2	60	-
30	15	51,195	1.6	1.5	37.7	18.1	-	43.2	20.8	-	55.7	64.0	60	30
36 (No Heat)	0	0	1.8	1.7	-	-	-	-	-	-	1.8	1.7	15	-
36	5	17,065	1.8	1.7	19.8	-	-	22.5	-	-	19.8	22.5	30	-
36	7.5	25,598	1.8	1.7	28.9	-	-	33.0	-	-	28.9	33.0	45	-
36	10	34,130	1.8	1.7	37.9	-	-	43.4	-	-	37.9	43.4	60	-
36	15	51,195	1.8	1.7	37.9	18.1	-	43.4	20.8	-	56.0	64.2	60	30
42 (No Heat)	0	0	1.9	1.8	-	-	-	-	-	-	1.9	1.8	15	-
42	5	17,065	1.9	1.8	20.0	-	-	22.6	-	-	20.0	22.6	30	-
42	7.5	25,598	1.9	1.8	29.0	-	-	33.1	-	-	29.0	33.1	45	-
42	10	34,130	1.9	1.8	38.0	-	-	43.5	-	-	38.0	43.5	60	-
42	15	51,195	1.9	1.8	38.0	18.1	-	43.5	20.8	-	56.1	64.3	60	30
48 (No Heat)	0	0	2.6	2.5	-	-	-	-	-	-	2.6	2.5	15	-
48	5	17,065	2.6	2.5	20.7	-	-	23.3	-	-	20.7	23.3	30	-
48	7.5	25,598	2.6	2.5	29.7	-	-	33.8	-	-	29.7	33.8	45	-
48	10	34,130	2.6	2.5	38.7	-	-	44.2	-	-	38.7	44.2	60	-
48	15	51,195	2.6	2.5	38.7	18.1	-	44.2	20.8	-	56.8	65.0	60	30
48	20	68,260	2.6	2.5	38.7	36.1	-	44.2	41.7	-	74.9	85.8	60	60
60 (No Heat)	0	0	4.1	3.9	-	-	-	-	-	-	4.1	3.9	15	-
60	5	17,065	4.1	3.9	22.2	-	-	24.7	-	-	22.2	24.7	30	-
60	7.5	25,598	4.1	3.9	31.2	-	-	35.2	-	-	31.2	35.2	45	-
60	10	34,130	4.1	3.9	40.2	-	-	45.6	-	-	40.2	45.6	60	-
60	15	51,195	4.1	3.9	40.2	18.1	-	45.6	20.8	-	58.3	66.4	60	30
60	20	68,260	4.1	3.9	40.2	36.1	-	45.6	41.7	-	76.3	87.2	60	60

<sup>1</sup> For 208 volt use .751 correction factor for kW & BTUH.  
<sup>2</sup> 15 and 20 kW (2 stage models) require 2 supply circuits.  
<sup>3</sup> Circuit #1 includes blower motor amps.

# RBC Air Handlers

## Physical

Model	Volts/Hz/Phase	Max. Elec. Heat Available (kW)	Transformer Size & Type	Filter Size (in.)	Refrigerant Connection (IDS)		Florator Piston Size	Weight (lbs.)
					Suction (in.)	Liquid (in.)		
RBCS2M18	208-230/60/1	10	40 VA, Class 2	16 x 20	3/4	3/8	53	129
RBCS2M24	208-230/60/1	10	40 VA, Class 2	16 x 20	3/4	3/8	59	131
RBCS2M30	208-230/60/1	15	40 VA, Class 2	18 x 20	7/8	3/8	67	148
RBCS2M36	208-230/60/1	15	40 VA, Class 2	18 x 20	7/8	3/8	73	148
RBCS2M42	208-230/60/1	15	40 VA, Class 2	18 x 25	7/8	3/8	80	172
RBCS2M48	208-230/60/1	20	40 VA, Class 2	18 x 25	7/8	3/8	84	177
RBCS2M60	208-230/60/1	20	40 VA, Class 2	18 x 25	7/8	3/8	93	190

## Blower

Model	Motor Size (hp)	Blower Size (in.)	CFM vs. External Static Pressure (in. w.c.)					
			Speed	.10	.20	.30	.40	.50
RBCS2M18	1/4	10 x 6	Low*	754	716	674	626	569
			High	1020	958	886	800	689
RBCS2M24	1/4	10 x 6	Low*	998	938	868	786	681
			High	1042	978	905	817	704
RBCS2M30	1/4	10 x 6	Low*	1146	1091	1029	959	877
			High	1349	1289	1224	1150	1066
RBCS2M36	1/3	11 x 8	Low*	1407	1341	1268	1186	1090
			High	1561	1481	1392	1290	1169
RBCS2M42	1/3	11 x 8	Low*	1785	1705	1616	1516	1402
			High	1938	1846	1744	1629	1495
RBCS2M48	1/2	11 x 8	Low*	1870	1789	1699	1599	1484
			High	1943	1858	1765	1660	1540
RBCS2M60	1/2	11-1/2 x 9	Low*	2077	1986	1886	1774	1646
			High	2161	2066	1962	1845	1710

\* Factory speed settings

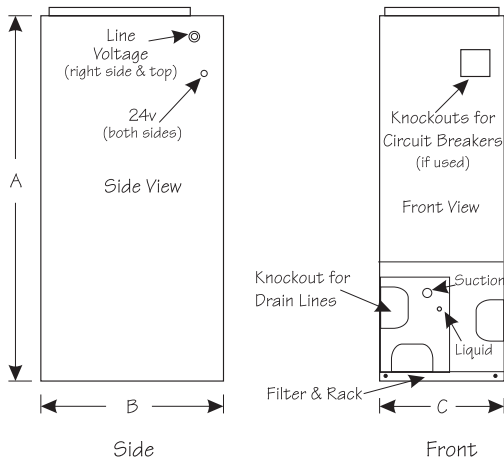
## Electric Heat Kits

Catalog Number	Model Number	Description	Used On
19W05	ECB26-2.5-P	2.5 kW with Terminal Block	RBC2* 18, 24, 30, 36, 42, 48, 60
99M64	ECB26-5-P	5 kW with Terminal Block	RBC2* 18, 24, 30, 36, 42, 48, 60
99M65	ECB26-5CB-P	5 kW with Circuit Breaker	RBC2* 18, 24, 30, 36, 42, 48, 60
99M66	ECB26-7CB-P	7.5 kW with Circuit Breaker	RBC2* 18, 24, 30, 36, 42, 48, 60
99M67	ECB26-7-P	7.5 kW with Terminal Block	RBC2* 18, 24, 30, 36, 42, 48, 60
99M68	ECB26-10-P	10 kW with Terminal Block	RBC2* 18, 24, 30, 36, 42, 48, 60
99M69	ECB26-10CB-P	10 kW with Circuit Breaker	RBC2* 18, 24, 30, 36, 42, 48, 60
99W00	ECB26-12.5CB-P	12.5 kW with Circuit Breaker	RBC2* 30, 36, 42, 48, 60
99M70	ECB26-15CB-P	15 kW with Circuit Breaker	RBC2* 30, 36, 42, 48, 60
99M71	ECB26-20CB-P	20 kW with Circuit Breaker	RBC2* 48, 60

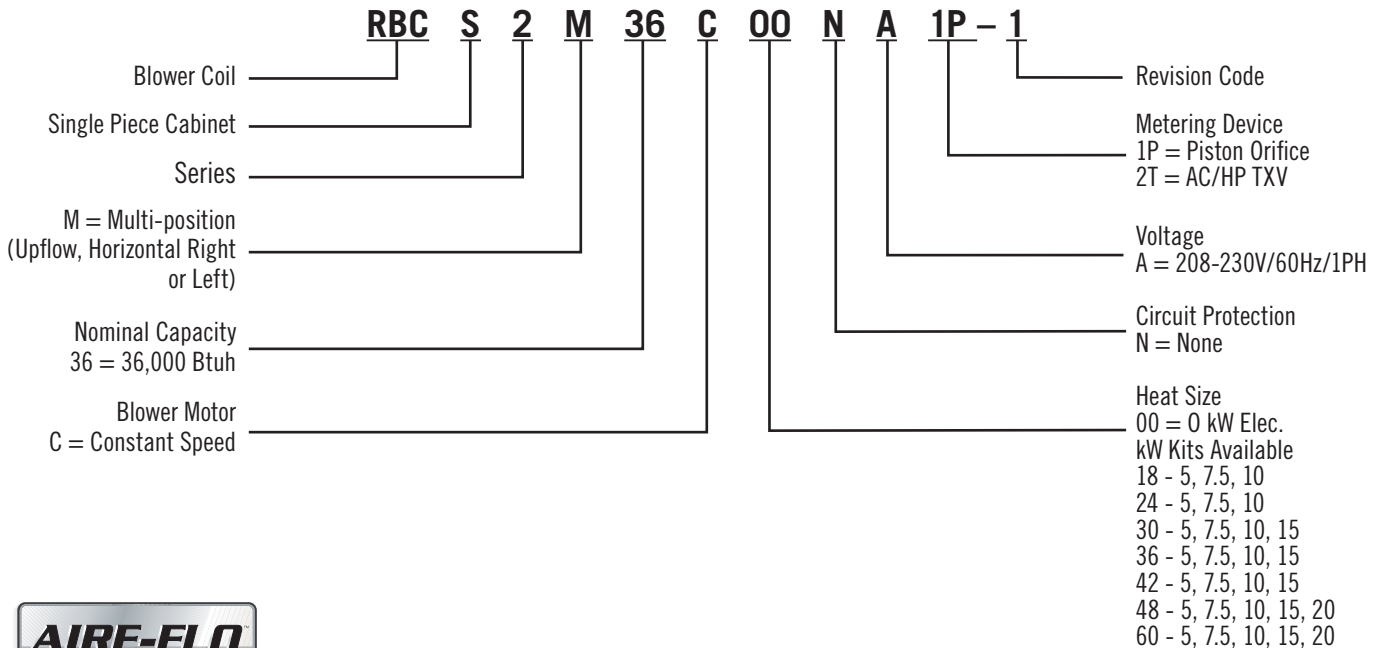
# RBC Air Handlers

## Dimensions

Air Handler Size	A (in.)	B (in.)	C (in.)	Supply Duct Opening		Return Duct Opening	
				Depth	Width	Depth	Width
RBCS2M18-24	46-3/4	22	18-1/2	17	16-1/2	20-1/4	16
RBCS2M30-36	51	22	21-1/4	17	19-1/4	20-1/4	20-1/4
RBCS2M42-48	54	26	21-1/4	24-1/4	19-1/4	20-1/4	18-3/4
RBCS2M60	60	26	21-1/4	24-1/4	19-1/4	24-1/4	18-3/4



## Model Number Identification



1.800.982.2333  
www.aireflo-hvac.com

