



# 2HP13

Heat Pumps



## Features

- Quiet, durable compressor is safeguarded by internal pressure relief valves and inherent thermal protection
- High-quality condenser coils use copper tubes with enhanced louvered fins for maximum heat transfer capability
- Equipped with field proven 30/60/90 adjustable time/temperature defrost control
- Special coil guard protects coils from fin damage
- Vertical air discharge sends hot air up and away from home and shrubbery
- Accumulator standard
- All models ETL-, ETL- and ARI-listed
- Charged for 15 feet of line-set

## Efficiency:

13 SEER; 7.7 HSPF

## Warranty:

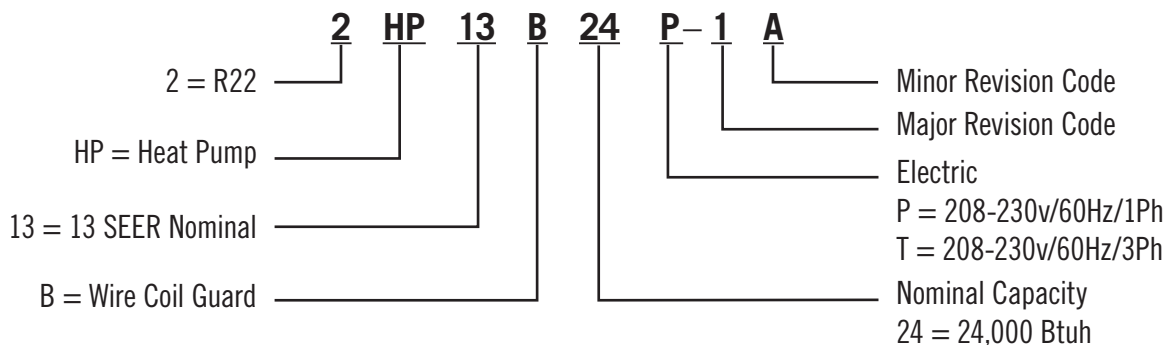
5-year limited—compressor  
5-year limited—components

## Capacity:

1-1/2- to 5-ton

# 2HP13 Heat Pumps

## Model Number Identification



## Physical and Electrical

Model	Voltage/ Hz/Phase	Voltage Range	Min. Circuit Amp.	Max. Over- current Device (amps)	Compressor		Fan Motor			Refrigerant Connections		Refrig. Charge (oz.)	Weight (lbs.)
					Rated Load (amps)	Locked Rotor (amps)	Rated Load (amps)	Rated HP	Nom. RPM	Liquid O.D (in.)	Vapor O.D (in.)		Wire Guard
2HP13B18P-1A	230/60/1	208/230	11.53	20	8.6	38	0.7	1/10	1075	3/8	3/4	130	183
2HP13B24P-1A	230/60/1	208/230	15.25	25	11.4	56	0.7	1/10	1075	3/8	3/4	130	188
2HP13B30P-1A	230/60/1	208/230	17.94	30	13.6	67	1.1	1/5	1075	3/8	3/4	144	196
2HP13B36P-1A	230/60/1	208/230	21.69	35	16.4	83	1.2	1/4	1075	3/8	3/4	210	205
2HP13B42P-1A	230/60/1	208/230	23.59	40	17.9	88	1.2	1/4	1075	3/8	7/8	221	215
2HP13B48P-1A	230/60/1	208/230	26.80	45	20.0	104	1.2	1/4	1075	3/8	7/8	306	227
2HP13B60P-1A	230/60/1	208/230	31.02	50	22.1	137	1.2	1/4	1075	3/8	1-1/8	330	245

## Performance

Outdoor Model	Indoor Model	Cooling			Heating					CFM	Metering Device <sup>1</sup>	
		Btuh	SEER	S/T	Btuh (47°F)	COP (47°F)	Btuh (17°F)	COP (17°F)	HSPF		OD	ID
2HP13B18P-1A	RBCS2M18C00NAP-1	18,000	13.00	0.74	17,000	3.50	9,000	2.10	7.7	650	TXV	.055
2HP13B24P-1A	RBCS2M24C00NAP-1	24,000	13.00	0.74	21,400	3.30	13,500	2.25	7.7	800	.049	.063
2HP13B30P-1A	RBCS2M30C00NAP-1	28,000	13.00	0.77	27,000	3.30	15,500	2.10	7.7	1100	.053	.067
2HP13B36P-1A	RBCS2M36C00NAP-1	35,000	13.00	0.74	34,600	3.30	19,500	2.20	7.7	1250	.057	.076
2HP13B42P-1A	RBCS2M42C00NAP-1	40,000	13.00	0.74	40,000	3.70	23,000	2.50	7.7	1400	.064	.076
2HP13B48P-1A	RBCS2M48C00NAP-1	45,000	13.00	0.75	43,500	3.20	28,500	2.60	7.7	1600	.062	.082
2HP13B60P-1A	RBCS2M60C00NAT-1	55,500	13.00	0.75	53,500	3.30	31,000	2.50	7.7	1950	.064	TXV

<sup>1</sup>Certified in accordance with Unitary Air Conditioner Certification Program, which is based on ARI Standard 210/240.

# 2HP13 Heat Pumps

## Cooling Performance Extended Ratings

Outdoor Model	Indoor Model	Indoor Temp. DB/WB (°F)	Outdoor Temp - DB°F														
			65			82			95			105			115		
			Btuh	S/T	kW	Btuh	S/T	kW	Btuh	S/T	kW	Btuh	S/T	kW	Btuh	S/T	kW
2HP13B18P-1A	RBCS2M18C00NAP-1	80/67	21,300	.65	1.25	20,300	.69	1.43	19,800	.71	1.5	18,800	.74	1.61	17,400	.74	1.61
2HP13B24P-1A	RBCS2M24C00NAP-1	80/67	27,100	.67	1.78	25,800	.72	2.03	25,200	.74	2.13	23,900	.77	2.22	22,200	.77	2.29
2HP13B30P-1A	RBCS2M30C00NAP-1	80/67	31,400	.70	2.18	29,900	.75	2.49	29,200	.77	2.61	27,700	.80	2.72	25,700	.81	2.81
2HP13B36P-1A	RBCS2M36C00NAP-1	80/67	35,100	.65	2.51	36,300	.72	2.95	35,400	.74	3.1	33,600	.77	3.23	31,200	.77	3.34
2HP13B42P-1A	RBCS2M42C00NAP-1	80/67	42,400	.68	2.71	40,500	.73	3.08	39,500	.75	3.23	37,500	.78	3.36	34,700	.78	3.47
2HP13B48P-1A	RBCS2M48C00NAP-1	80/67	49,400	.68	3.30	47,100	.73	3.76	45,900	.75	3.95	43,600	.78	4.12	40,400	.78	4.26
2HP13B60P-1A	RBCS2M60C00NAT-1	80/67	59,900	.67	3.88	57,100	.72	4.43	55,700	.74	4.66	52,900	.77	4.85	49,000	.77	5.02

## Heating Performance Extended Ratings

Outdoor Model	Indoor Model	Indoor Temp.	17° F Outdoor			35° F Outdoor			47° F Outdoor			60° F Outdoor		
			Btuh	COP	kW	Btuh	COP	kW	Btuh	COP	kW	Btuh	COP	kW
2HP13B18P-1A	RBCS2M18C00NAP-1	70	10,500	2.24	1.37	14,300	3.02	1.39	17,300	3.45	1.46	20,500	3.90	1.54
2HP13B24P-1A	RBCS2M24C00NAP-1	70	12,700	2.10	1.77	17,900	2.90	1.80	21,500	3.32	1.90	25,600	3.75	2.00
2HP13B30P-1A	RBCS2M30C00NAP-1	70	15,400	2.12	2.12	22,300	2.95	2.22	26,900	3.38	2.33	32,000	3.82	2.45
2HP13B36P-1A	RBCS2M36C00NAP-1	70	19,800	2.19	2.64	29,000	2.91	2.91	34,900	3.33	3.07	41,500	3.75	3.24
2HP13B42P-1A	RBCS2M42C00NAP-1	70	22,700	2.46	2.71	32,400	3.07	3.09	39,100	3.52	3.25	46,500	3.98	3.42
2HP13B48P-1A	RBCS2M48C00NAP-1	70	27,400	2.54	3.16	36,000	2.78	3.80	43,400	3.18	4.00	51,600	3.58	4.22
2HP13B60P-1A	RBCS2M60C00NAT-1	70	31,900	2.55	3.66	44,300	3.01	4.41	53,400	3.44	4.54	63,500	3.88	4.79

## Sound Ratings

Model	Sound Rating dBA
2HP13B18P	79
2HP13B24P	80
2HP13B30P	76
2HP13B36P, T	78
2HP13B42P	76
2HP13B48P, T	77
2HP13B60P, T	76

T = 208-230V/60Hz/3 Phase Models

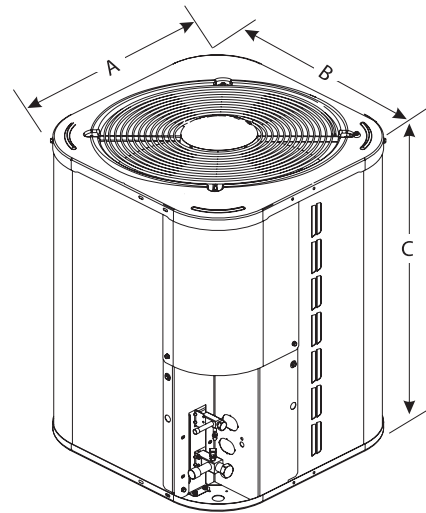
# 2HP13 Heat Pumps

## Accessories

Catalog Number	Description	Used With
12W59	Hard Start Kit	All Units
14W09	High Pressure Kit	All Units
14W05	Crankcase Heater	2HP13B18, 24, 30, 36, 42, 48
14W04	Crankcase Heater	2HP13B60
14W02	Sound Blanket	2HP13B18, 24, 30
14W00	Sound Blanket	2HP13B36, 42, 48
14W01	Sound Blanket	2HP13B60
17W03	Outdoor Thermostat	All Units
17W02	Fossil Fuel Kit	All Units

## Dimensions

Model	A	B	C
2HP13B18P-1A	30	30	34-3/4
2HP13B24P-1A	30	30	34-3/4
2HP13B30P-1A	30	30	38-3/4
2HP13B36P-1A	30	30	26-3/4
2HP13B42P-1A	30	30	26-3/4
2HP13B48P-1A	30	30	38-3/4
2HP13B60P-1A	30	30	42-3/4



All specifications and illustrations subject to change without notice and without incurring obligations.



1.800.982.2333  
www.aireflo-hvac.com

